

VC-AR1/2M

Order No.: 1852972

<http://eshop.phoenixcontact.de/phoenix/treeViewClick.do?UID=1852972>

Panel mounting frame, without PE, for contact insert modules, type 1,
number of insert modules 2

Commercial data

| | |
|--------------------------|--------------------|
| EAN | 4017918133733 |
| Pack | 5 Pcs. |
| Customs tariff | 85389099 |
| Weight/Piece | 0.01118 KG |
| Catalog page information | Page 294 (PC-2007) |

Product notes

WEEE/RoHS-compliant since:
12/15/2005



<http://www.download.phoenixcontact.com>
Please note that the data given here has been taken from the online catalog. For comprehensive information and data, please refer to the user documentation. The General Terms and Conditions of Use apply to Internet downloads.

Technical data**General data**

| | |
|---------------------------------|--------------------------------------|
| Note | 2 x 1852862 VC-AF for each connector |
| Ambient temperature (operation) | -40 °C ... 125 °C |
| Design | VC1 |

Material data

| | |
|------------------------------------|----|
| Inflammability class acc. to UL 94 | V0 |
|------------------------------------|----|

Certificates / Approvals

Approval logo



requested approbations

| | |
|---------------|---------------|
| Certification | CUL, GOST, UL |
|---------------|---------------|

Accessories

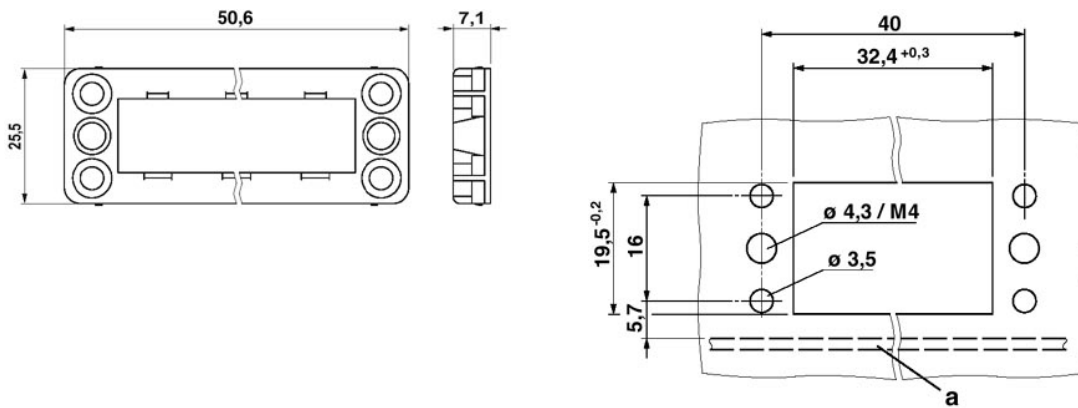
| Item | Designation | Description |
|------|-------------|-------------|
|------|-------------|-------------|

Assembly

| | | |
|---------|-------|---|
| 1852862 | VC-AF | Panel-mounting flange for screw locking, for wall thicknesses of 1-5 mm |
|---------|-------|---|

Drawings

Dimensioned drawing



Address

PHOENIX CONTACT GmbH & Co. KG
Flachsmarktstr. 8
32825 Blomberg, Germany
Phone +49 5235 3 00
Fax +49 5235 3 41200
<http://www.phoenixcontact.de>



© 2008 Phoenix Contact
Technical modifications reserved;